



# ProVac 3 Vacuum Pump

35 CFM

**Made in the U.S.A. since 1939**

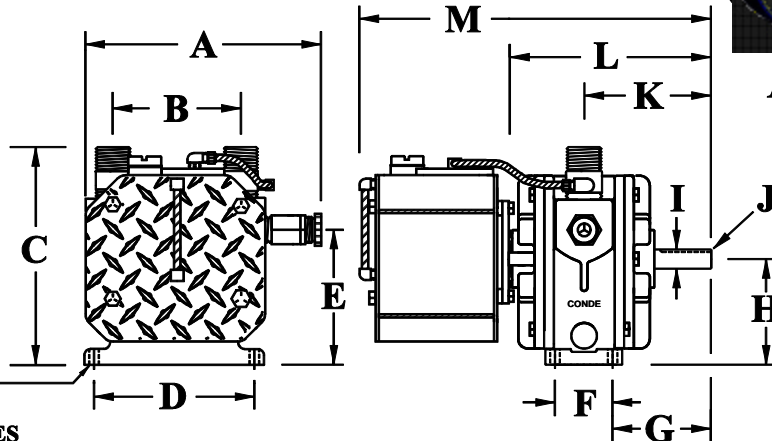


- \* **Double Shaft Design**  
Pump can be driven either clockwise or counter clockwise rotation.
- \* **O Ring Seals**  
Prevents any oil leakage and eliminates oil mess.
- \* **Automatic Oiling**  
Conde Automatic oilers require no adjustment. Simply add oil .
- \* **Available in Vacuum only or Vacuum/Pressure**  
Vacuum/pressure models include built-in check valve to hold tank vacuum.
- \* **Low Profile – Compact Design**  
Installs neatly where other pumps can't go.
- \* **Versatile Oiler Design**  
Oiler can be mounted on either end of pump or remote mounted.
- \* **Sealed Bearings Require No Maintenance.**
- \* **End Thrust Protection To Prevent End Plate To Rotor Wear.**
- \* **ONE YEAR WARRANTY!**

# DIMENSIONAL SPECIFICATIONS



## #3 PRO-VAC (VACUUM)

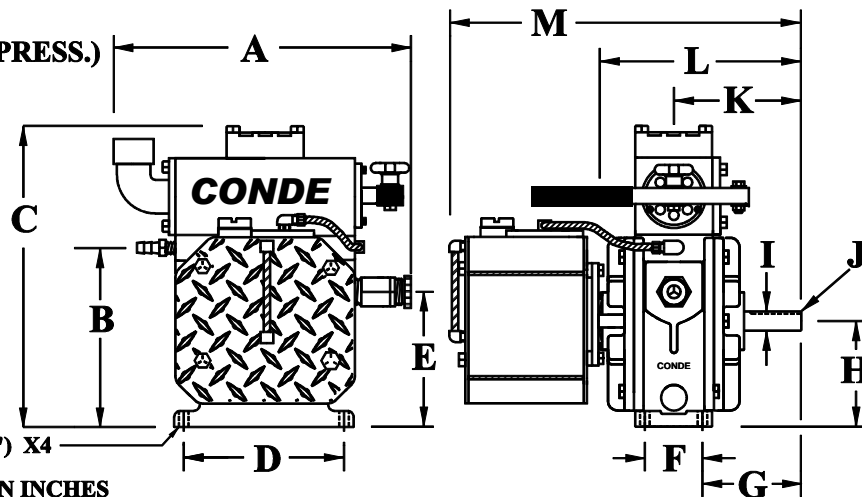


MFG. HOLES (Ø3/8") X4

ALL DIMENSIONS IN INCHES

A	B	C	D	E	F	G	H	I	J	K	L	M
9-1/4	4-1/4	9	6-1/4	5-1/4	2-1/4	3-27/32	4-3/8	Ø 3/4	3/16 KEY	4-31/32	7-7/8	13-1/8

## #3 PRO-VAC (VAC./PRESS.)



MFG. HOLES (Ø3/8") X4

ALL DIMENSIONS IN INCHES

A	B	C	D	E	F	G	H	I	J	K	L	M
11-1/2	7-1/16	12-1/4	6-1/4	5-1/4	2-1/4	3-27/32	4-3/8	Ø 3/4	3/16 KEY	4-31/32	7-7/8	13-1/8

# PERFORMANCE DATA

PUMP RPM	DISPLACEMENT CFM	SCFM @ VACUUM				
		5	10	15	18	20
1725	35	26	22	17	14	12
1500	30	23	19	14	12	10
1200	24	18	15	12	10	8

SPEED RANGE	1100 THRU 1725 RPM
MAX. VACUUM	27" HG INTERM. 20" HG CONT.
LUBRICATION	CONDE AUTOMATIC
CONNECTION	1" - 1.5 NPT
SHAFT DIA.	3/4"
WEIGHT	38 LBS (VACUUM) 53 LBS (VAC./PRESS.)

**WESTMOOR LTD.**  
**906 WEST HAMILTON AVE**  
**SHERRILL, NEW YORK 13461**

**PHONE: 800-367-0972, 315-363-1500**  
**FAX: 315-363-0193**  
**E-MAIL: pumps@westmoorltd.com**