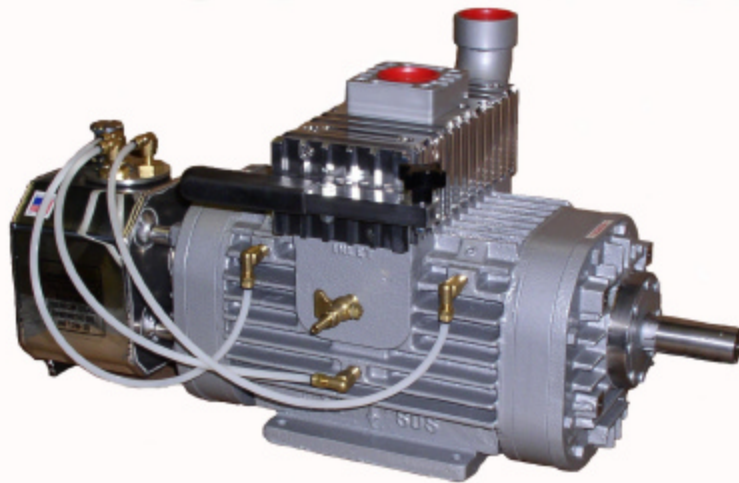




SDS Ultra Vacuum Pump

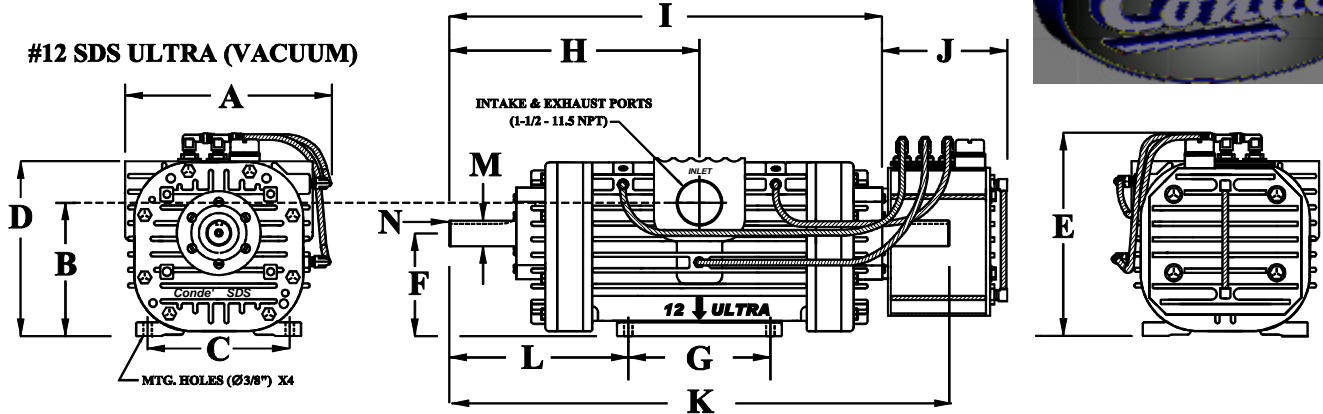
230CFM

Made in the U.S.A. since 1939



- * **Double Shaft Design**
Pump can be driven either clockwise or counter clockwise rotation.
- * **O Ring Seals**
Prevents any oil leakage and eliminates oil mess.
- * **Automatic Oiling**
Conde Automatic oilers require no adjustment. Simply add oil .
- * **Available in Vacuum only or Vacuum/Pressure**
Vacuum/pressure models include built-in check valve to hold tank vacuum.
- * **Low Profile – Compact Design**
Installs neatly where other pumps can't go.
- * **Versatile Oiler Design**
Oiler can be mounted on either end of pump or remote mounted.
- * **Sealed Bearings Require No Maintenance.**
- * **End Thrust Protection To Prevent End Plate To Rotor Wear.**
- * **ONE YEAR WARRANTY!**

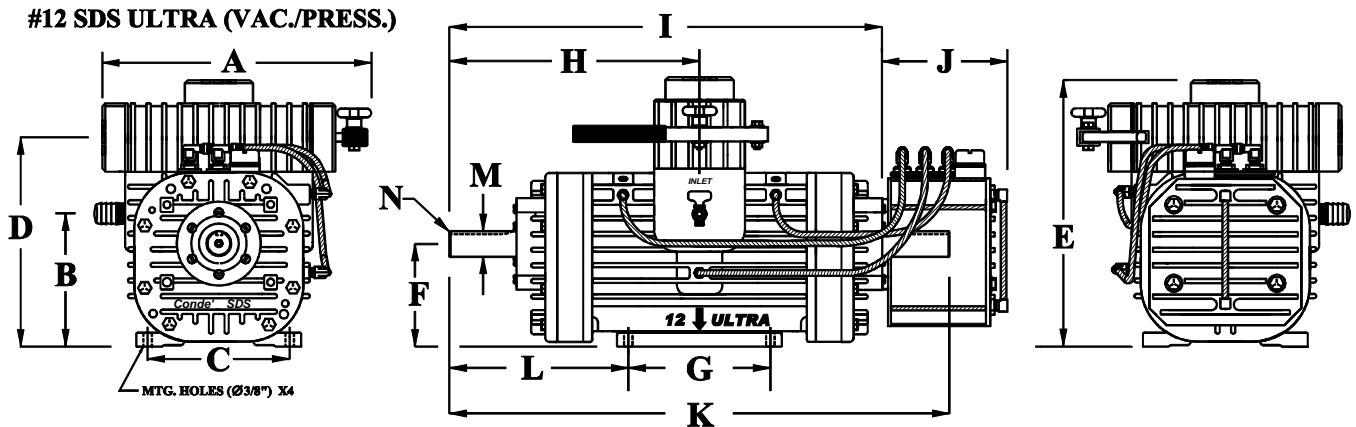
DIMENSIONAL SPECIFICATIONS



ALL DIMENSIONS IN INCHES

A	B	C	D	E	F	G	H	I	J	K	L	M	N
8-7/8	5-7/8	6-1/4	8	9-1/4	4-9/16	6-1/4	11	19	5-1/2	22	7-7/8	1-1/8	1/4 KEY

8128/09



ALL DIMENSIONS IN INCHES

A	B	C	D	E	F	G	H	I	J	K	L	M	N
11-7/8	5-7/8	6-1/4	9-1/4	11-3/4	4-9/16	6-1/4	11	19	5-1/2	22	7-7/8	1-1/8	1/4 KEY

8128/09

PERFORMANCE DATA

PUMP RPM	DISPLACEMENT CFM	SCFM & ACFM @ VACUUM					
		5	10	15	18	20	
1500	230	SCFM	165	129	94	72	56
		ACFM	198	193	188	180	167
1200	185	SCFM	135	106	76	59	46
		ACFM	163	159	152	148	140
PUMP RPM	DISPLACEMENT CFM	SCFM @ PSIG					
		5	10	15			
1500	230	SCFM	194	188	178		

SPEED RANGE	1100 THRU 1500 RPM
MAXIMUM VACUUM	28" HG INTERMITTENT 20" HG CONTINUOUS
LUBRICATION	CONDE AUTOMATIC
PORT CONNECTION	1-1/2-11.5 NPT
SHAFT DIAMETER	1-1/8"
WEIGHT (VACUUM)	145 LBS
WEIGHT (VAC./PRESS.)	152 LBS

WESTMOOR LTD.
 906 WEST HAMILTON AVE
 SHERRILL, NEW YORK 13461

PHONE: 800-367-0972, 315-363-1500
FAX: 315-363-0193
E-MAIL: pumps@westmoorltd.com