



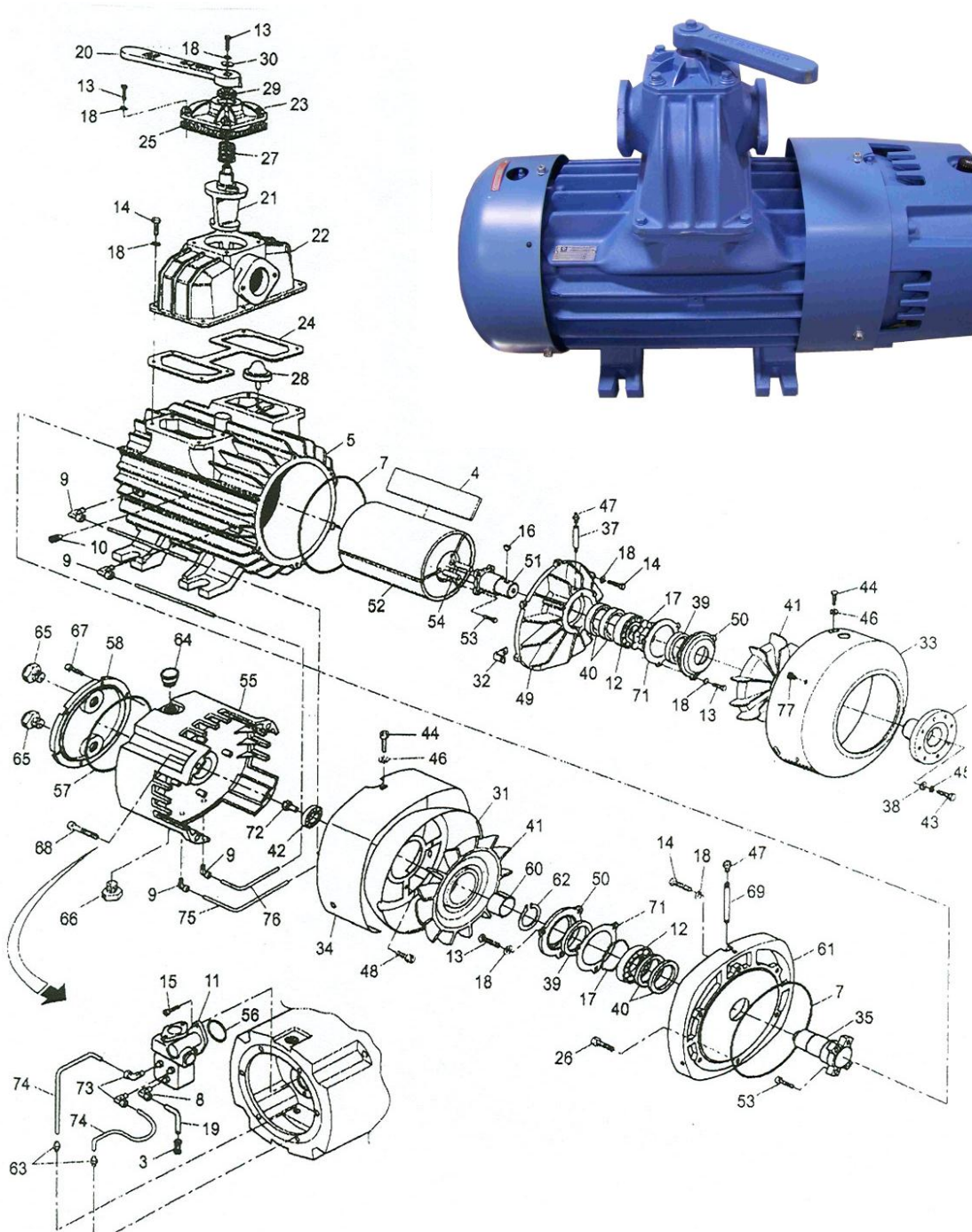
MORO USA, INC.

ST. LOUIS, MO OFFICE
Po Box 424
Union, MO 63084
(866) 383-6304
Fax: (636) 583-2044

PITTSBURGH, PA OFFICE
SALES OFFICE
(800) 383-6304
(412) 787-8400
Fax: (412) 787-8444

Email: sales@morousa.com
www.morousa.com

PM80T VACUUM PUMP



PM80T VACUUM PUMP

Pos.	Quantity	Part No.	Description	Pos.	Quantity	Part No.	Description
		Front Group Direct Jack		40	4	6.921027058-2	Ring Seal
1				41	2	6.929080000-2	Fan
2				42	1	6.931000002-1	Ball Bearing
3	1	6.644500000-1	Oil Filter	43	1	6.961021001-2	Screw
4	3	6575-0054-2	Vane	44	6	96-1075-001	Screw
5	1	6.662400510-2	Housing	45	1	6.964001003-2	Elastic Washer
6				46	6	964007001	Washer
7	2	6.921003522-2	O-Ring	47	2	965001001	Grease Nipple
8	1	6.924019025-2	Fitting	48	4	96-1071-110	Screw
9	4	6.924061050-2	Fitting	49	1	6.610400620-2	Flange
10	2	6.925070000-2	Conical Plug	50	2	6.663400310-2	Cover
11	1	6.1008163-5-2	Oil Pump dx	51	1	6110-0098-2	Hub
11	1	6.1008169-9-2	Oil Pump sx	52	1	6534-0079-1	Rotor
12	2	6.931004004-2	Ball Bearing	53	8	6.961075103-2	Screw
13	11	6.961013002-2	Screw	54	2	96-4027-002	Pin
14	17	6.961013003-2	Screw	55	1	6.661300030-2	Oil Tank
15	2	96-1073-002	Screw	56	1	6.921003517-2	O-Ring
16	1	96-3000-018	Key	57	1	6.921003516-2	O-Ring
17	2	6.963005004-2	Ring	58	1	6.663300981-2	Cover
18	28	6.964001002-2	Washer	59			
19	1	6761-0002-0	Tubing	60	1	6.622004970-2	Bushing
20	1	6.602400040-2	Handle	61	1	6.610401630-2	Flange
21	1	6.626400280-2	Change-Over Device	62	1	96-3001-030	Ring "Seeger"
22	1	6.626400630-2	Manifold	63	2	6.924063101-2	Pipe Fitting
23	1	6.663300970-2	Cover	64	1	6.684500000-2	Plug
24	1	6.680502610-2	Gasket	65	2	6.965022002-2	Level Light
25	2	6.680600160-2	Gasket	66	1	6.965023003-2	Plug
26	1	6.961075004-2	Screw	67	6	96-1075-003	Screw
27	1	6.690000342-2	Spring	68	4	96-1078-110	Screw
28	1	6.692500020-2	Valve	69	1	6730-0548-0	Lubrication Pipe
29	1	6.921027065-2	Ring Seal	70			
30	1	6.964005005-2	Washer	71	2	1008170-6	Gasket
31	1	6400-0052-0	Cover	72	1	1008162-6	Pin
32	3	6.612004470-2	Support	73	2	108227-9	Fitting
33	1	6.640000210-2	Conveyor	74	0.54	6.924054196-6	Dowil
34	1	6.645000630-2	Carter	75	1	1008360-6	Tube
35	1	6110-0123-0	Hub	75	1	1008378-6	Tube
36	1	6.656000200-2	Hub	76	1	1008376-8	Tube
37	1	673002000	Lubrication Pipe	76	1	1008379-5	Tube
38	1	6.683000101-2	Washer	77	4	1008454-3	Plug
39	2	6.921002004-2	Ring Seal			1008649-9	Kit of Gaskets PM80T

****Yellow highlighted item #, waiting on new part # from Moro.**