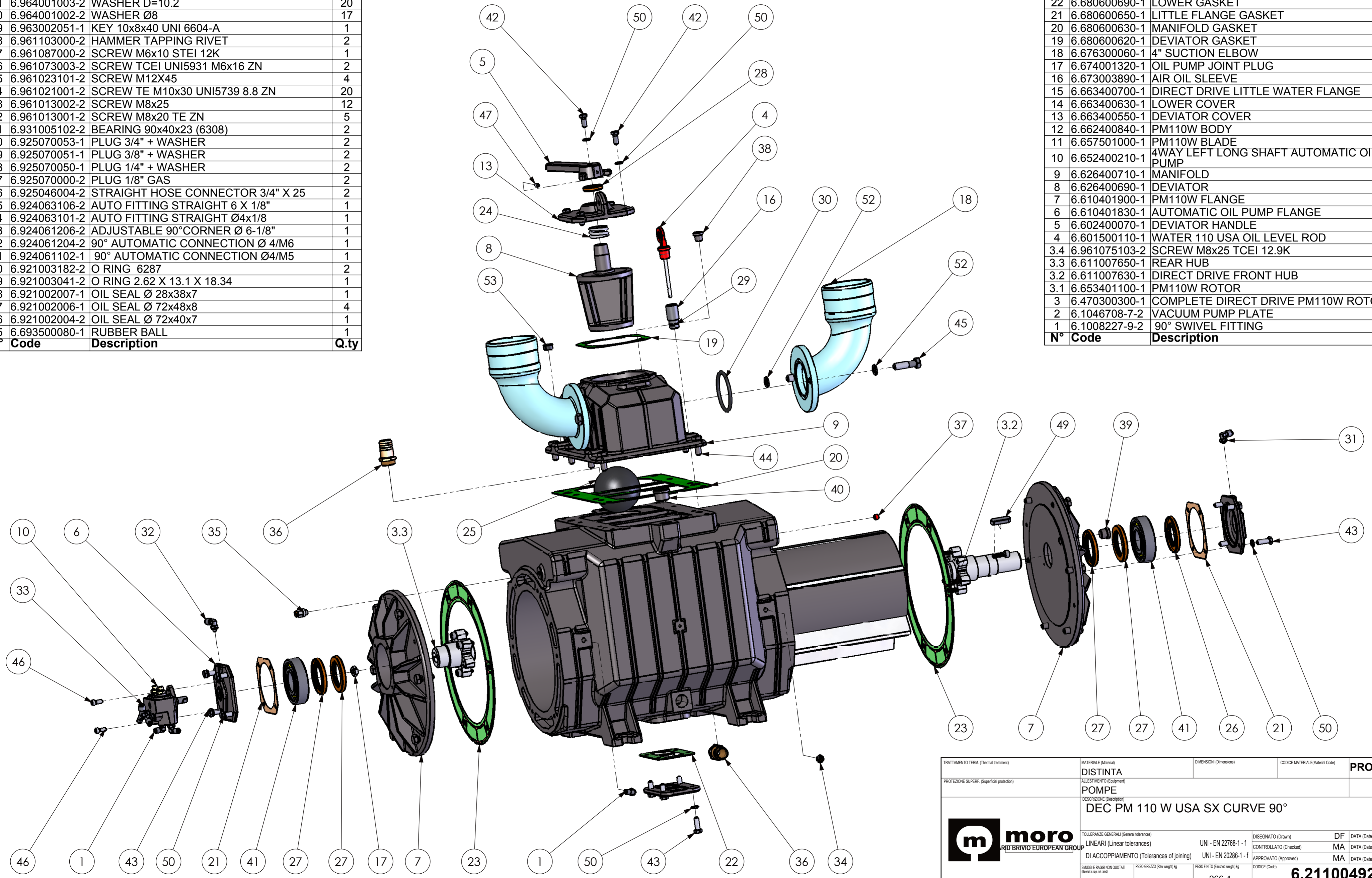


53	6.965070013-1	Ø18 PRESSURE PLUG	1
52	6.964001004-2	WASHER Ø12.2	4
51	6.964001003-2	WASHER D=10.2	20
50	6.964001002-2	WASHER Ø8	17
49	6.963002051-1	KEY 10x8x40 UNI 6604-A	1
48	6.961103000-2	HAMMER TAPPING RIVET	2
47	6.961087000-2	SCREW M6x10 STEI 12K	1
46	6.961073003-2	SCREW TCEI UNI5931 M6x16 ZN	2
45	6.961023101-2	SCREW M12X45	4
44	6.961021001-2	SCREW TE M10x30 UNI5739 8.8 ZN	20
43	6.961013002-2	SCREW M8x25	12
42	6.961013001-2	SCREW M8x20 TE ZN	5
41	6.931005102-2	BEARING 90x40x23 (6308)	2
40	6.925070053-1	PLUG 3/4" + WASHER	2
39	6.925070051-1	PLUG 3/8" + WASHER	2
38	6.925070050-1	PLUG 1/4" + WASHER	2
37	6.925070000-2	PLUG 1/8" GAS	2
36	6.925046004-2	STRAIGHT HOSE CONNECTOR 3/4" X 25	2
35	6.924063106-2	AUTO FITTING STRAIGHT 6 X 1/8"	1
34	6.924063101-2	AUTO FITTING STRAIGHT Ø4x1/8	1
33	6.924061206-2	ADJUSTABLE 90°CORNER Ø 6-1/8"	1
32	6.924061204-2	90° AUTOMATIC CONNECTION Ø 4/M6	1
31	6.924061102-1	90° AUTOMATIC CONNECTION Ø4/M5	1
30	6.921003182-2	O RING 6287	2
29	6.921003041-2	O RING 2.62 X 13.1 X 18.34	1
28	6.921002007-1	OIL SEAL Ø 28x38x7	1
27	6.921002006-1	OIL SEAL Ø 72x48x8	4
26	6.921002004-2	OIL SEAL Ø 72x40x7	1
25	6.693500080-1	RUBBER BALL	1
N°	Code	Description	Q.ty

24	6.690000342-2	AC DEVIATOR SPRING	1
23	6.680600780-1	PM110W FLANGE GASKET	2
22	6.680600690-1	LOWER GASKET	1
21	6.680600650-1	LITTLE FLANGE GASKET	2
20	6.680600630-1	MANIFOLD GASKET	1
19	6.680600620-1	DEVIATOR GASKET	1
18	6.676300060-1	4" SUCTION ELBOW	2
17	6.674001320-1	OIL PUMP JOINT PLUG	1
16	6.673003890-1	AIR OIL SLEEVE	1
15	6.663400700-1	DIRECT DRIVE LITTLE WATER FLANGE	1
14	6.663400630-1	LOWER COVER	1
13	6.663400550-1	DEVIATOR COVER	1
12	6.662400840-1	PM110W BODY	1
11	6.657501000-1	PM110W BLADE	6
10	6.652400210-1	4WAY LEFT LONG SHAFT AUTOMATIC OIL PUMP	1
9	6.626400710-1	MANIFOLD	1
8	6.626400690-1	DEVIATOR	1
7	6.610401900-1	PM110W FLANGE	2
6	6.610401830-1	AUTOMATIC OIL PUMP FLANGE	1
5	6.602400070-1	DEVIATOR HANDLE	1
4	6.601500110-1	WATER 110 USA OIL LEVEL ROD	1
3.4	6.961075103-2	SCREW M8x25 TCEI 12.9K	12
3.3	6.611007650-1	REAR HUB	1
3.2	6.611007630-1	DIRECT DRIVE FRONT HUB	1
3.1	6.653401100-1	PM110W ROTOR	1
3	6.470300300-1	COMPLETE DIRECT DRIVE PM110W ROTOR	1
2	6.1046708-7-2	VACUUM PUMP PLATE	1
1	6.1008227-9-2	90° SWIVEL FITTING	5
N°	Code	Description	Q.ty



TRATTAMENTO TERM. (Thermal treatment)	MATERIALE (Material)	DIMENSIONI (Dimensions)	CODICE MATERIALE (Material Code)	PROVVISORIO
PROTEZIONE SUPERF. (Superficial protection)	DISTINTA ALLESTIMENTO (Equipment)			
	POMPE DESCRIZIONE (Description)			
	DEC PM 110 W USA SX CURVE 90°			
TOLLERANZE GENERALI (General tolerances)	LINEARI (Linear tolerances)	UNI - EN 22768-1 - f	DISegnATO (Drawn)	DF DATA (Date)
	DI ACCOPPIAMENTO (Tolerances of joining)	UNI - EN 20286-1 - f	CONTROLLATO (Checked)	MA DATA (Date)
SMUSI E RAGGI NON QUOTATI (Shoulders and radii not quoted)	PESO GREZZO (Raw weight) kg		APPROVATO (Approved)	MA DATA (Date)
	PESO FINITO (Finished weight) kg		CODICE (Code)	
	266,4		6.211004920-1	
Proprietà della FARID INDUSTRIE SpA. Senza autorizzazione della stessa il presente disegno non potrà essere comunque utilizzato per la costruzione dell'oggetto rappresentato né venire comunicato a terzi o riprodotta. La FARID INDUSTRIE SpA tutela i propri diritti a rigore di legge. All proprietary rights reserved FARID INDUSTRIE S.p.A. This drawing shall not be reproduced or in any way utilized for manufacturing the component or unit here in illustrated and must not be released to other parties without written consent. Any infringement will be legally pursued.	QUOTE DA CONTROLLARE (Dimensions to be checked)	FORMATO (Form)	SCALA (Scale)	RUCOSTA NON SPEC. (Roughness not specified)
	6.211004920-1 ENG A2	A2	1:5	1/1

