

## SYSTEM PACKAGES



For over thirty years, Masport, Incorporated, has provided quality vacuum pumps around the world. Our dynamic range of pumps is used in various markets with special emphasis on liquid waste, oil field, and dairy industries. Not only do we have pumps to fit your needs today, we continually strive to bring creative products to market to keep you on the forefront of pumping technology.

# PLUG & PLAY SYSTEMS



## HXL400WV Liquid Cooled

- Liquid Cooled Rotary Vane Pump for Heat Stability & Extra Reliability
- 400 CFM
- 25" Hg Continuous
- Laser Cut 3/8" Base
- Right Angle 1:1 Gear Box
- SureFlex Coupling
- Horizontal Scrubber
- Vacuum Relief
- Pressure Relief
- Inlet Filter w/50 mesh stainless element
- Compound Vacuum/ Pressure Gauge



## VK650 Fan Cooled

- Fan Cooled Rotary Vane Pump
- 377 CFM
- 23" Hg Continuous
- Vacuum Relief Valve
- Laser Cut 3/8" Base
- Right Angle 1:1 Gear Box
- SureFlex Coupling
- Inlet Filter w/50 mesh stainless element
- Compound Vacuum/ Pressure Gauges
- Oil Separator



## HXL4V Air Cooled

- Air Cooled Rotary Vane Pump
- 160 CFM
- 20" Hg Continuous
- Laser Cut 3/8" Base
- Right Angle 1:1 Gear Box
- SureFlex Coupling
- Inlet Filter w/ 50 mesh stainless element
- Horizontal Scrubber
- Vacuum Relief
- Pressure Relief
- Compound Vacuum/ Pressure Gauges



## HXL400WV Liquid Cooled

- Liquid Cooled for Heat Stability and Extra Reliability
- 400 CFM
- 25" Hg Continuous
- Right Angle 1:1 Gear Box
- SureFlex Coupling
- Compound Vacuum/Pressure Gauge
- Laser Cut 3/8" Base
- High efficiency oil separator with demister pad
- Vacuum Relief
- Inlet Filter w/50 mesh stainless element



## VK650 Fan Cooled

- Fan Cooled Rotary Vane Pump
- 377 CFM Oil Separator
- 23" Hg Continuous
- Cam-Lock Fittings
- Vacuum Relief Valve
- Laser Cut 3/8" Base
- Right Angle 1:1 Gear Box
- SureFlex Coupling
- Inlet Filter w/50 mesh stainless element
- Compound Vacuum/ Pressure Gauges
- High efficiency oil separator with demister pad



## HXL75WV Liquid Cooled

- Liquid Cooled for Heat Stability and Extra Reliability
- 230 CFM
- 25" Hg Continuous
- Right Angle 1:1 Gear Box with Flex Coupler
- Laser Cut 3/8" Base
- Pressure and Vacuum Relief Valves
- Compound Vacuum/Pressure Gauge
- Oil Separator
- Cam-Lock Fittings



# BEHIND THE CAB MOUNT SYSTEMS



## VK650 Fan Cooled

- Fan Cooled Rotary Vane Pump
- 377 CFM Oil Separator
- 23" Hg Continuous
- Vacuum Relief Valve
- Laser Cut 3/8" Base
- Hydraulic motor kit available
- Inlet Filter w/50 mesh stainless element
- Compound Vacuum/ Pressure Gauges
- High efficiency oil separator with demister pad



## HXL400WV Liquid Cooled

- Liquid Cooled Rotary Vane Pump for Heat Stability & Extra Reliability
- 400 CFM
- 25" Hg Continuous
- Laser Cut 3/8" Base
- Hydraulic motor kit available
- High efficiency oil separator with demister pad
- Vacuum Relief
- Pressure Relief
- Inlet Filter w/50 mesh stainless element
- Compound Vacuum/ Pressure Gauge

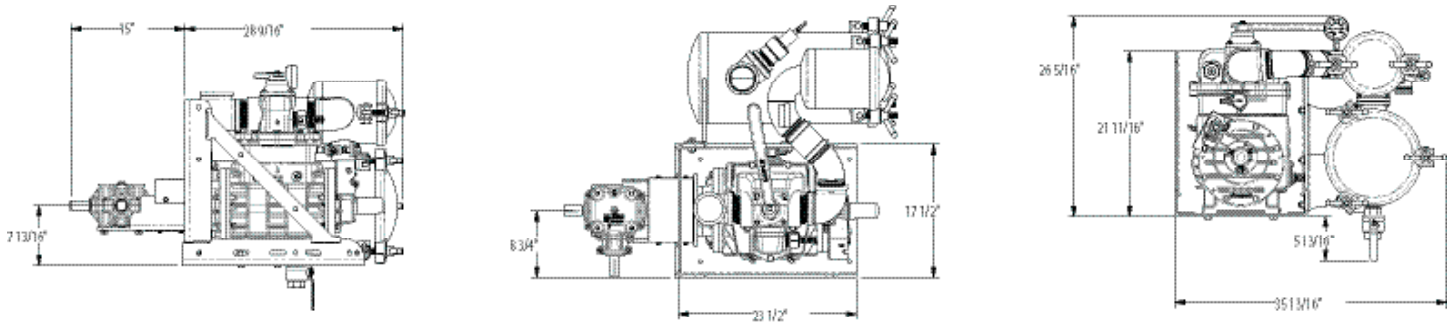
# PLUG & PLAY SYSTEM WITH OIL SEPARATOR



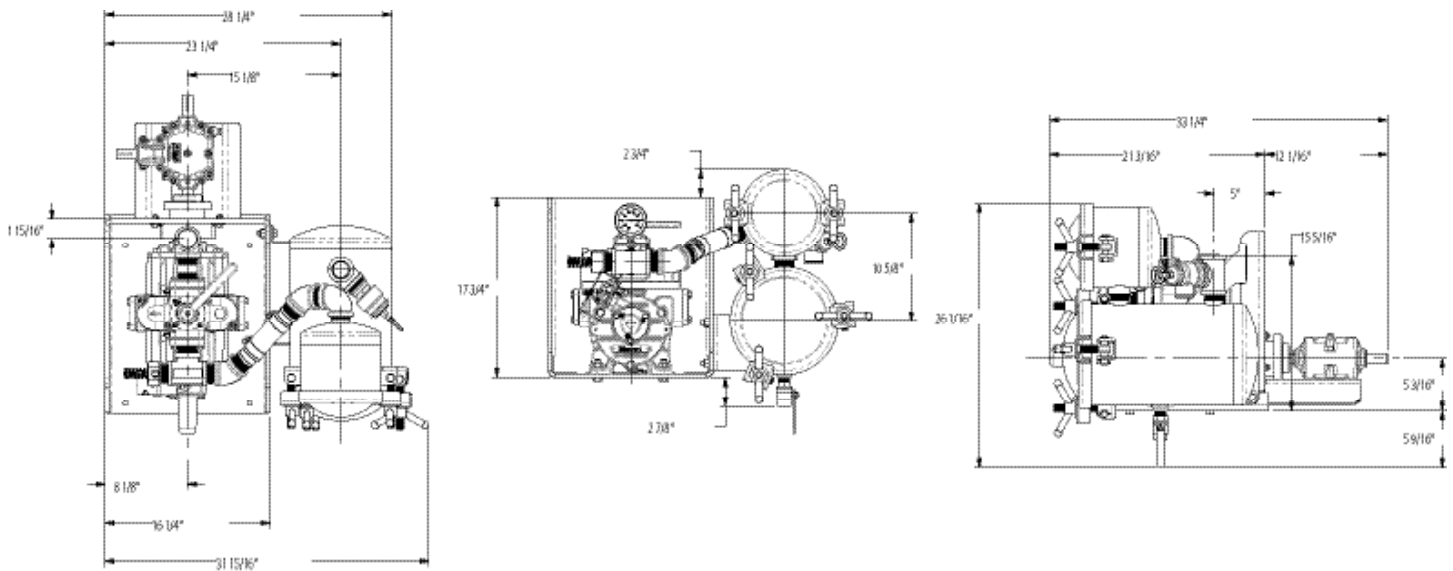
## HXL400WV Liquid Cooled Plug & Play System with Oil Separator

- Liquid Cooled Rotary Vane Pump for Heat Stability & Extra Reliability
- 400 CFM
- 25" Hg Continuous
- Laser Cut 3/8" Base
- Hydraulic motor kit available
- SureFlex Coupling
- Horizontal Scrubber
- Vacuum Relief
- Pressure Relief
- Inlet Filter w/50 mesh stainless element
- Compound Vacuum/ Pressure Gauge
- High efficiency oil separator with demister pad

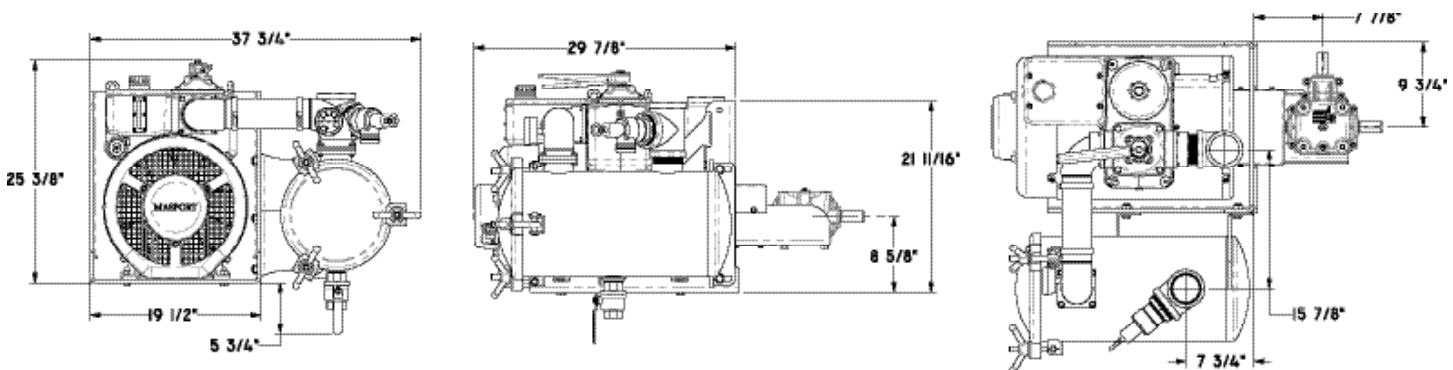
## PLUG & PLAY SYSTEM - HXL400WV



## PLUG & PLAY SYSTEM - HLX4V

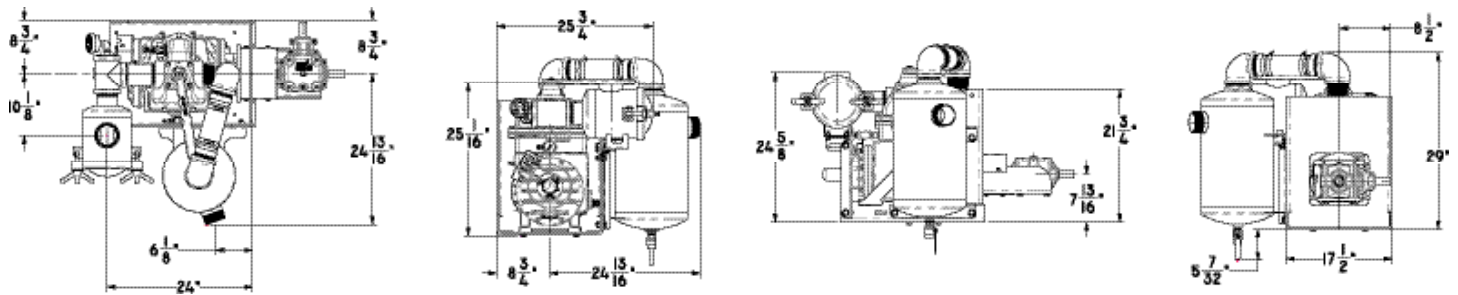


## PLUG & PLAY SYSTEM - VK650

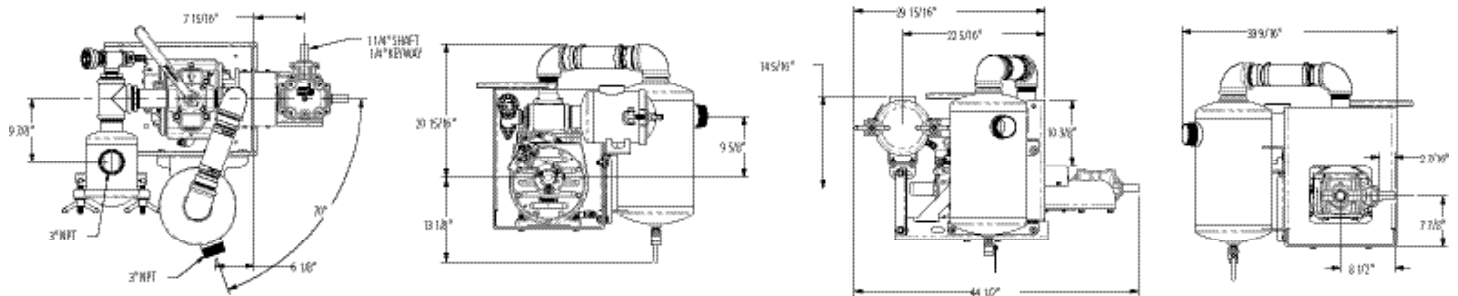


# SYSTEM DRAWINGS - TRACTOR PACK

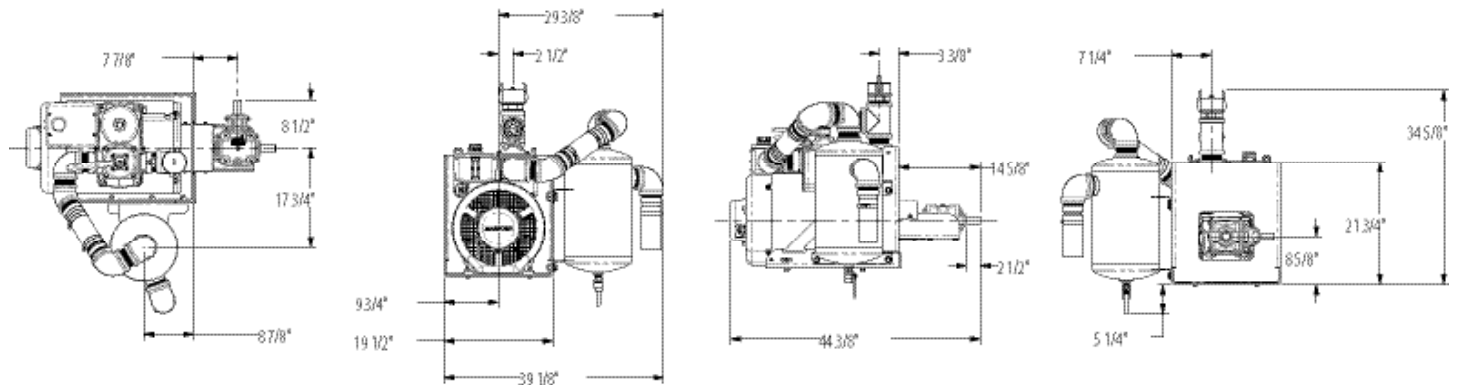
## TRACTOR PACK SYSTEM - HXL400WV



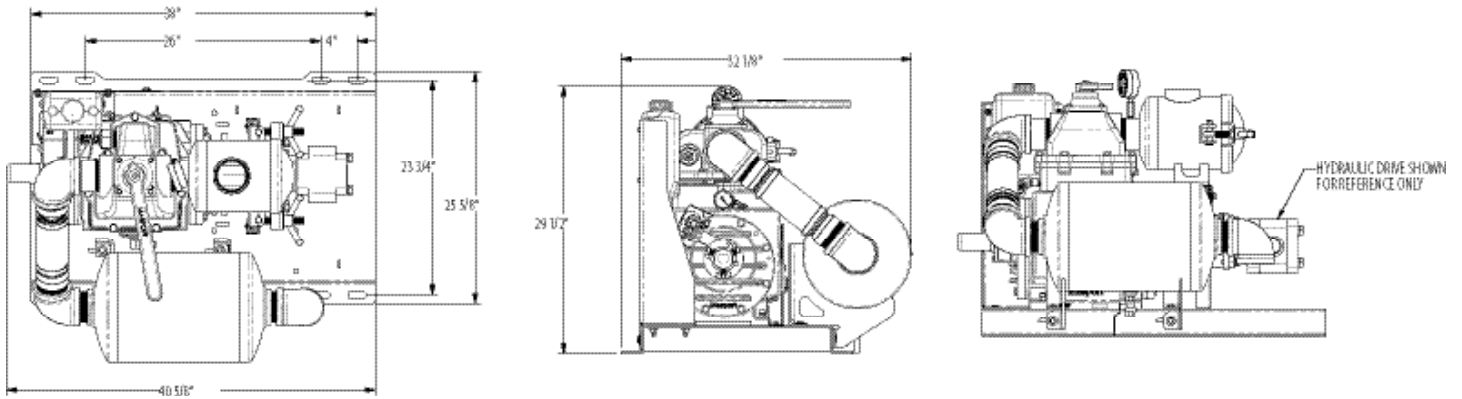
## TRACTOR PACK SYSTEM - HXL75WV



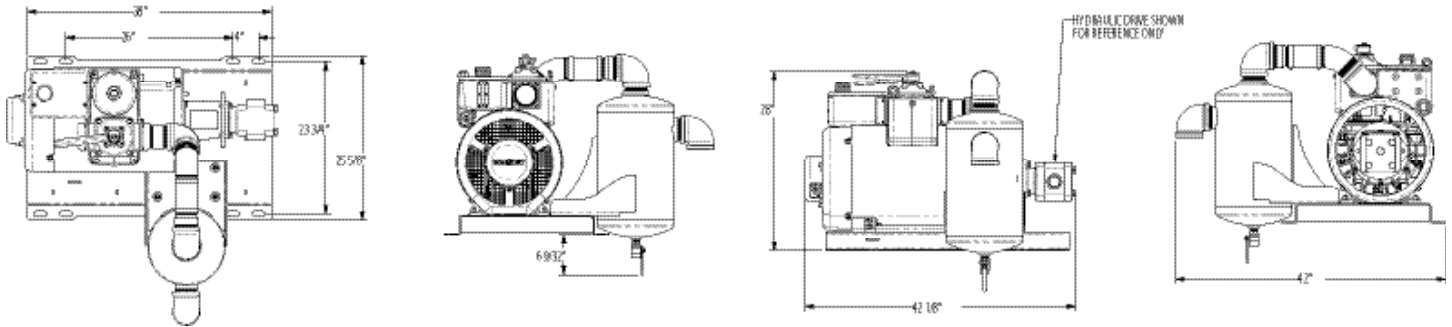
## TRACTOR PACK SYSTEM - VK650



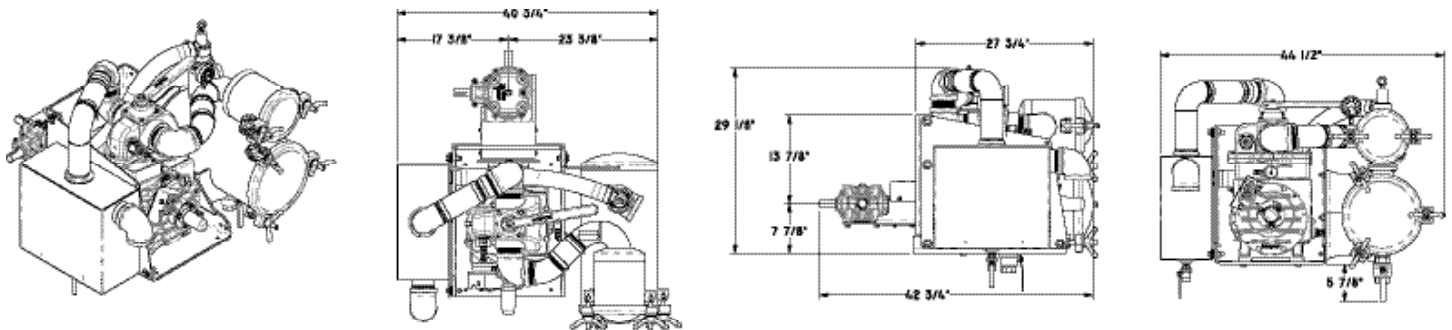
## BEHIND THE CAB MOUNT SYSTEM - HXL400WV



## BEHIND THE CAB MOUNT SYSTEM - VK650



## PLUG & PLAY SYSTEM WITH OIL SEPARATOR - HXL400WV



PLUG & PLAY SYSTEMS				
PUMP MODEL	CFM	PUMP COOLING	CW/CCW OR HYDRAULIC	ORDER PART NUMBER
HXL400WV	400	Liquid	CCW	12708
HXL400WV	400	Liquid	CW	12700
HXL400WV	400	Liquid	Hydraulic	12850
VK650	377	Fan	CCW	12910
VK650	377	Fan	CW	12909
VK650	377	Fan	Hydraulic	12911
HXL15WV	350	Liquid	CCW	12731
HXL15WV	350	Liquid	CW	12704
HXL15WV	350	Liquid	Hydraulic	12753
HXL15V	350	Air	CCW	12730
HXL15V	350	Air	CW	12702
HXL15V	350	Air	Hydraulic	12752
HXL75WV	230	Liquid	CCW	12713
HXL75WV	230	Liquid	CW	12710
HXL75WV	230	Liquid	Hydraulic	12713H
HXL75V	230	Air	CCW	12718
HXL75V	230	Air	CW	12715
HXL75V	230	Air	Hydraulic	12855
HXL4V	165	Air	CCW	12721
HXL4V	165	Air	CW	12720
HXL4V	165	Air	Hydraulic	12724
TRACTOR PACK SYSTEMS				
PUMP MODEL	CFM	PUMP COOLING	CW/CCW OR HYDRAULIC	ORDER PART NUMBER
HXL400WV	400	Liquid	CCW	12733SE
HXL400WV	400	Liquid	CW	12732SE
HXL400WV	400	Liquid	Hydraulic	12733SEH
VK650	377	Fan	CCW	12907
VK650	377	Fan	CW	12906
VK650	377	Fan	Hydraulic	12908
HXL75WV	230	Liquid	CCW	12743WS
HXL75WV	230	Liquid	CW	12744WS
HXL75WV	230	Liquid	Hydraulic	12742
BEHIND THE CAB MOUNT SYSTEM				
PUMP MODEL	CFM	PUMP COOLING	CW/CCW OR HYDRAULIC	ORDER PART NUMBER
HXL400WV	400	Liquid	Hydraulic	12736
VK650	377	Fan	Hydraulic	12912
PLUG & PLAY WITH OIL SEPARATOR				
PUMP MODEL	CFM	PUMP COOLING	CW/CCW OR HYDRAULIC	ORDER PART NUMBER
HXL400WV	400	Liquid	CCW	12726
HXL400WV	400	Liquid	Hydraulic	12726H