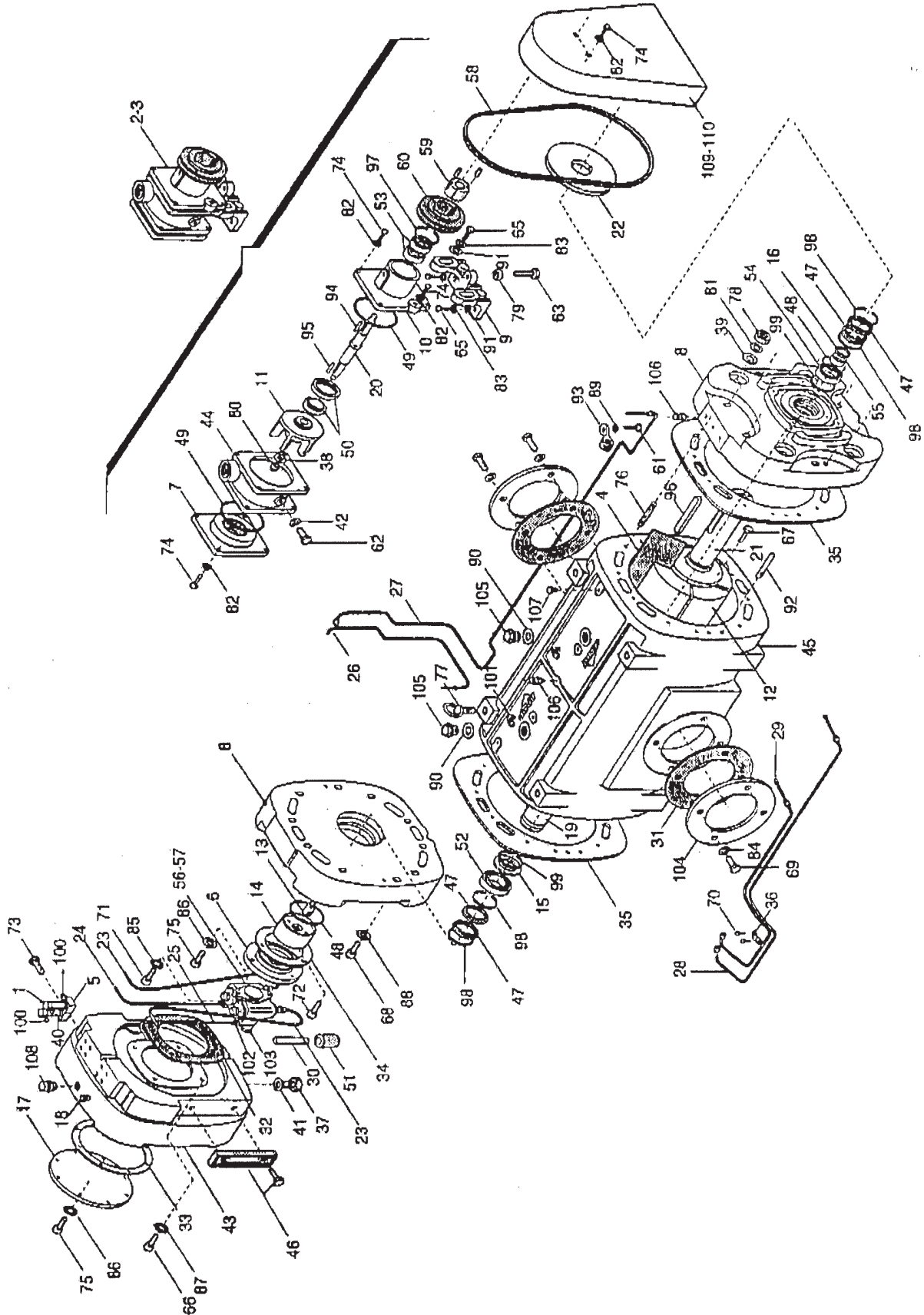


# JUROP PR150 PARTS LAYOUT



# JUROP PR150 PARTS LIST

POS.	PART#	DESCRIPTION	QTY
1	I401200700	Drip oiler	4
2	I407200800	Water recycling pump cw	1
3	I407200900	Water recycling pump ccw	1
4	I601605000	Vane PR150	6
5	I608100600	Oil block	2
6	I610015200	Oil pump flange	1
7	I610506500	Water pump rear flange	1
8	I610506900	End plate	2
9	I613500900	Water pump support bracket	1
10	I613501000	Water pump front flange	1
11	I621502800	Water pump impeller	1
12	I621503100	Vacuum pump PR 150 rotor	1
13	I622004100	Oil pump pivot	1
14	I624013300	Oil pump drive bushing	1
15	I624013400	Spacer 85x72x4	1
16	I624013200	Spacer 52x45x4	1
17	I640100900	Oil tank lid	1
18	I642600000	Oil line protection	4
19	I650010900	Rear shaft PR150	1
20	I650009700	Water pump shaft	1
21	I650010800	Front shaft PR150	1
22	I653502100	Water pump pulley SPZ 150x1	1
23	4033320002	Oil line per five foot	2
24	4033320002	Oil line per five foot	1
25	4033320002	Oil line per five foot	1
26	4033320002	Oil line per five foot	1
27	4033320002	Oil line per five foot	1
28	4033320002	Oil line per five foot	1
29	4033320002	Oil line per five foot	1
30	4032401003	Oil line suction pipe	1
31	I680607200	Inlet/outlet gasket	2
32	I680607300	Oil tank gasket	1
33	I680706100	Oil lid gasket	1
34	I680705900	Oil pump flange gasket	1
35	I680706000	Housing gasket	2
36	I682000800	Pipeline fixing strip	1
37	I684000000	Oil draining tap 3/8"	1
38	I685002400	Safety washer	1
39	I685003500	Washer 35x10,5x6	20
40	I685100000	Drip oiler washer AL 14X20X1,5	4
41	I685100200	Flat washer AL 17X22X1,5	1
42	I685100800	Washer Ø 8 AL	1
43	I687100900	Oil tank	1
44	I687504500	Water pump housing PR	1
45	I687505100	PR 150 housing	1
46	4022106001	Oil sight glass	2
47	4022200052	Seal ring 52x72x10	4
48	4022200212	OR 2162	2
49	4022200235	OR 4325	2
50	4022216915	Water pump mech. seal	1
51	4022300001	Nylon filter Ø 6	1
52	4023100045	Bearing 6209/C3	1
53	4023100516	Bearing 6004 RS1	2
54	4023110048	Bearing 2209 NU ECP/C3	1
55	4023130032	Bushing 52x45x40 1R	1

POS.	PART#	DESCRIPTION	QTY
56	4024250000	Oil pump 4 outlets CW	1
57	4024250500	Oil pump 4 outlets CCW	1
58	4025350021	Belt SPZ 975 texrope	1
59	4025422300	Cone bushing 2820 Ø 16	1
60	4025422402	Pulley SPZ 71x1	1
61	4026101301	Screw 4.8 M 6x10	1
62	4026101403	Screw 4.8 M 8x10	1
63	4026102914	Screw 8.8 M 10x60	1
65	4026107214	Screw 8.8 M 10x40 5739	4
66	4026107311	Screw 8.8 M 12x30 5739	4
67	4026107212	Screw 8.8 M 10x35 5739	12
68	4026107306	Screw 8.8 M 12x16	4
69	4026107514	Screw 8.8 M 16x40	8
70	4026120100	Screw 8.8 M 4x8	2
71	4026120300	Screw 8.8 M 6x14 5931	2
72	4026120303	Screw 8.8 M 6x20 5931	2
73	4026120306	Screw 8.8 M 6x30	2
74	4026120401	Screw 8.8 M 8x16	10
75	4026120403	Screw 8.8 M 8x20 5931	11
76	4026171117	Stud screw 8.8 M 10x80	20
77	4026190002	Eye bolt M 16	2
78	4026301601	Nut M10 5587	20
79	4026308006	Nut M10 5588	1
80	4026322106	Nut M12 sp.	1
81	4026350506	Grower washer 10	20
82	4026350505	Grower washer 8	10
83	4026350608	Grower washer 10 1751	4
84	4026350611	Grower washer 16 1751	8
85	4026350908	Washer M 6 6798	2
86	4026350909	Washer M 8 6798	11
87	4026350911	Washer M 12	4
88	4026356107	Flat washer M 12	4
89	4026357003	Flat washer M 6	1
90	4026359001	Washer 40x33,5x1,5 AL	3
91	4026366106	Flat washer M 10	4
92	4026401812	Pin 10x60 M 6	4
93	4026426703	Rubber strip Ø 6,5	1
94	4026500605	Tab 5x5x18	1
95	4026500609	Tab 5x5x28	1
96	4026501508	Tab 14x9x90	1
97	4026510525	Seeger ring 1 42 7437	1
98	4026510540	Seeger ring 1 72 7437	4
99	4026510545	Seeger ring 1 85 7437	2
100	4026702000	Univ. connection 4x1/8" 1050	12
101	4026706001	Univ. connection 90° 4x1/4" 1020	2
102	4026706101	Pivot connection 4x1/8" 1170	2
103	4026706104	Pivot connection 6x1/8" 1170	1
104	4026713006	Inlet/outlet flange UNI2276 DN 80	2
105	4026904003	Plug 1"	2
106	4026904300	Venting valve 1/4"	4
107	4026905002	Plug 1/4"	4
108	4026910004	Oil tank plug 1"	1
109	I642003300	Mech. transmission cover	1
110	I642003400	Hydr. transmission cover	1