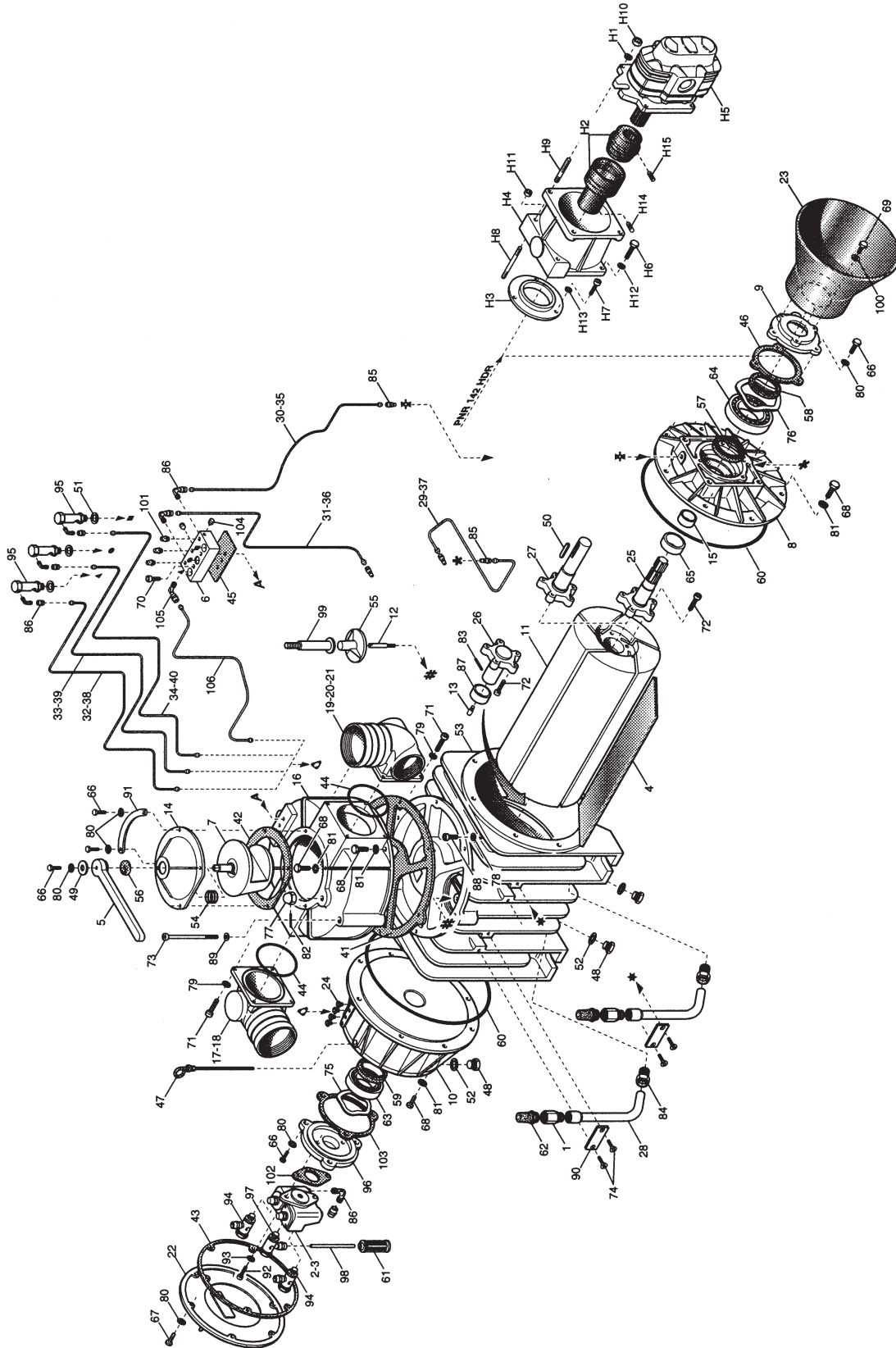


JUROP **PNR 142** PARTS LAYOUT



JUROP **PNR 142** PARTS LAYOUT

Pos. Code	Description	Quantity
1	1493300200 Air injection valve PNR 142	2
2	4024250000 Automatic lubricating pump (cw rotation)	1
3	4024250500 Automatic lubricating pump (ccw rotation)	1
4	1601605200 Vane PNR 142	5
5	1605500100 Handle PNR 142	1
6	1608100200 Distributor PNR 142	1
7	1608500700 Conveyor PNR 142	1
8	1610508100 Flange PNR 142 D	1
9	1610508200 Flange R-PNR-PNE 102-122-142 D	1
10	1612500900 Oil tank PNR 142	1
11	1621503200 Rotor PNR 142	1
12	1622002500 Check valve shaft PNR 142	1
13	1622002600 Shaft M10	1
14	1623500300 Conveyor cap PNR 142	1
15	1626001100 Bushing PNR 142 D	1
16	1627501100 Manifold PNR 142	1
17	1627102400 Conveyor Ø 100	1-2
18	1627102700 Conveyor Ø 80	1
19	1627102800 Conveyor Ø 76	1
20	1610101100 Conveyor Flange	2
21	1627102500 Conveyor with safety valve connection	(1)
22	1640101000 Oil tank cap PNR 142	1
23	1642600100 Drive shaft protection	1
24	1642600000 Pipeline protection	4
25	1650012900 Front splined shaft PNR 142 D	1
26	1650013000 Rear shaft PNR 142	1
27	1650013100 Front smooth shaft PNR 142 D	1
28	1663014000 Air injection valve pipe 1/2" PNR 142	2
29	1663009500 Refer to #4033320002	1
30	1663016510 Refer to #4033320002	1
31	1663016310 Refer to #4033320002	1
32	1663034500 Refer to #4033320002	1
33	1663034600 Refer to #4033320002	1
34	1663034700 Refer to #4033320002	1
35	1663026010 Refer to #4033320002	1
36	1663016610 Refer to #4033320002	1
37	1663025700 Refer to #4033320002	1
38	1663034200 Refer to #4033320002	1
39	1663034300 Refer to #4033320002	1
40	1663034400 Refer to #4033320002	1
41	1680608300 Manifold gasket PNR 142	1
42	1680702500 Conveyor gasket PNR 142	1
43	1680702700 Oil tank gasket PNR 142	1
44	4022200310 OR 6362	2
45	1680703700 Distributor gasket PNR 142	1
46	1680707300 Flange gasket PNR 142 D	1
47	1683600300 Oil stick	1
48	1684000000 Plug G3/8	3
49	1685002800 Washer 30x8,5x4	1
50	4026501006 Tab 12x8x56	1
51	1685100000 Alu washer 14x20x1,5	3
52	1685100200 Alu washer 17x22x1,5	3
53	1687501905 Housing PNR 142 D	1
54	1691000200 Conveyor spring	1
55	1693500000 Check valve PNR 142	1
56	4022200030 Seal 41x27x10	1
57	4022200113 Seal 70x55x15	1
58	4022200044 Seal 65x45x8	1
59	4022200111 Seal 72x48x15	1
60	4022200311 OR 4975	2
61	4022300001 Nylon filter Ø6	1
62	4022301004 Silencer-filter 3/4"	2
63	4023100040 Bearing 6308	1
64	4023100046 Bearing 6309	1
65	4023130035 Bushing 55x45x22	1
66	4026100408 Screw M8x20	11
67	4026100410 Screw M8x25	6
68	4026100510 Screw M10x25	21

Pos. Code	Description	Quantity
69	4026101409 Screw M8x12 galvanized	3
70	4026120303 Screw M6x20	2
71	4026102807 Screw M 8x25	(4)
72	1672001600 PNR rotor screw M10	10
73	4026120519 Screw M10x110	2
74	4026155605 Screw M6x16	4
75	4026300020 Compensation ring Ø90	1
76	4026300025 Compensation ring Ø100	1
77	4026322006 Nut M16	1
78	1685100800 Alu washer 8x14x1,5	1
79	4026350606 Grower washer M8	8(12)
80	4026350909 Washer M8	17
81	4026350910 Washer M10	21
82	4026414611 Pin 3x24	1
83	4026414617 Pin 3x40 (*)	1
84	4026701301 Fitting G1/2	2
85	4026702000 Fitting Ø4-1/8	4
86	4026706000 Fitting 90° Ø4-1/8	6
87	4023130020 Bushing 48x40x22	1
88	4026120400 Screw M8x12	1
89	4026350608 Grower washer M10	2
90	1681006600 Bracket	2
91	1681005300 Plate vac-press PNR 142	1
92	4026120304 Screw M6x16	2
93	4026350908 Washer M6	2
94	4026706101 Fitting Ø4-1/8	2
95	1401200700 Oil dripper automatic lubrication	3
96	1610508500 Automatic lubrication pump flange R-PNR-PNE	1
97	4026706104 Fitting Ø6-1/8	1
98	1663041100 Refer to #4032401003	1
99	1672001200 Check valve stop	1
100	4026356002 Flat washer M8 galvanized	3
101	4022301000 Oil block filter G 1/8	3
102	1680609700 Oil pump gasket	1
103	1680609800 Oil pump flange gasket	1
104	4026910601 Plug G1/8	2
105	4026706003 Fitting 90° G1/8 ø6	1
106	1663043700 Refer to #4033320002	1
	1663043800 Refer to #4033320002	1
107	1627102600 Conveyor	(1)
108	4026102801 Screw M8x35	8
109	4026102810 Screw M8x40	(4)
110	4026308005 Nut M8	(4)

(*): on models with ccw (left hand) rotation

PNR 142 HDR

Pos. Code	Description	Quantity
H1	4026350610 Grower washer M14	4
H2	1470102300 Coupling PNR 102-122-142 HDR	1
H3	1610021600 Centering flange PNR-PNE 102-122-142 HDR	1
H4	1612501000 Bracket PNR-PNE ... HDR	1
H5	4024107004 Motor PNR 142 HDR	1
H6	4026107313 Screw M12x40	2
H7	4026120403 Screw M8x20	3
H8	4026171211 Stud screw M12x80	2
H9	4026171304 Stud screw M14x40	4
H10	4026308008 Nut M14 galvanized	4
H11	4026305508 Nut M12	2
H12	4026350609 Washer grower M12	2
H13	4026350909 Washer M8	3
H14	4026136003 Dowel pin M8x8	1
H15	4026136006 Dowel pin M8x14	1
	1892002300 Gaskets kit PNR 142 D	1



1-800-342-0887 • FAX 1-888-645-9700 • www.chandlerequipment.com