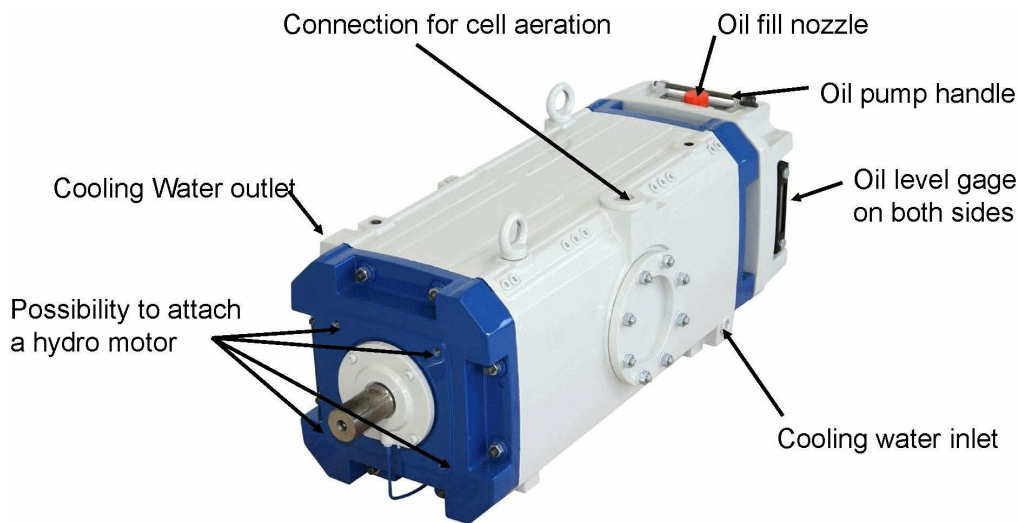




Fruitland Water Cooled Vacuum Pump

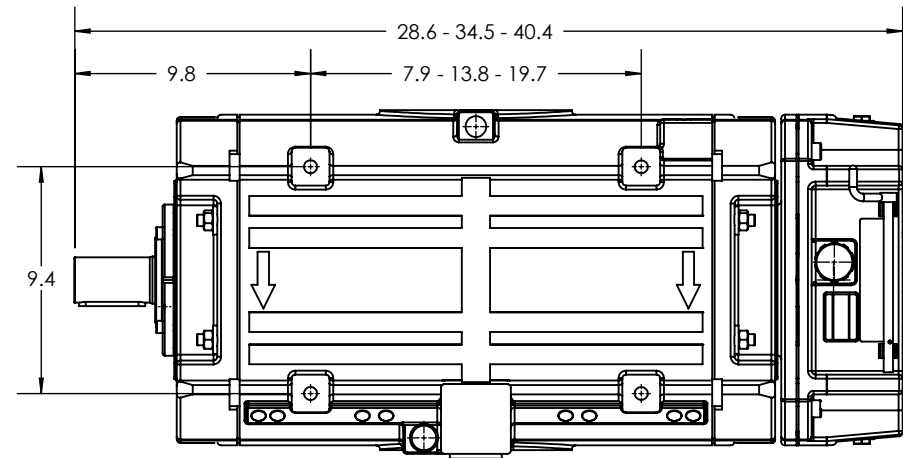
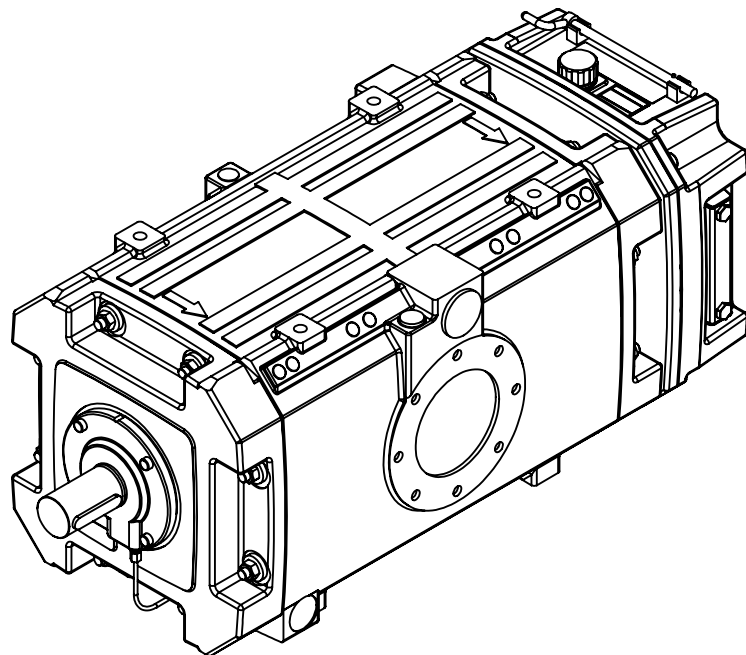
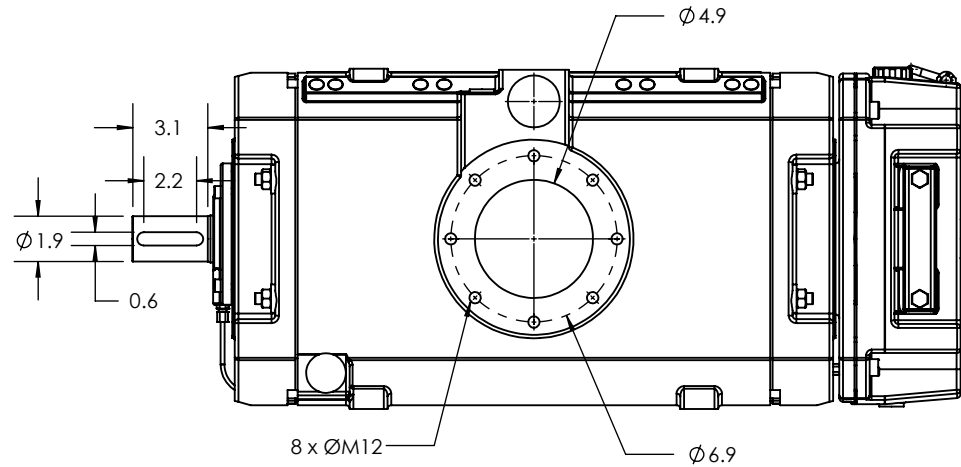
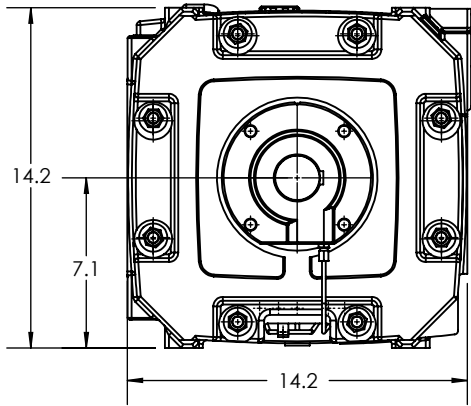
W 900/ W 1300/ W 1600




- **Compact and Easy to Install**
- **Strong Durable Components**
- **Low Power Requirement**
- **High Suction Capacity**
- **Low Weight Aluminum Design**
- **Long Lasting Performance**
- **Higher Truck Payload**

		VacuStar W 900	VacuStar W 1300	VacuStar W 1600
Max. Volume Flow	m ³ h/ cfm	900/530	1300/765	1600/942
Max. Operating Pressure	bar g/ psig	860/506	1220/718	1570/924
Max. Operating Vacuum*	mbar/ HG"	2.0/29	2.0/29	2.0/29
Speed Range	rpm	100/27	100/27	100/27
Max. Power Requirement at 0.5 bar g/7.25	kW/ hp	1500	1500	1500
Sound Pressure Level in 7m distance at 400mbar/18 HG"	dB(A)	26.5/35.5	38.0/51.0	47.0/63.0
Weight	Kg/lb	220/485	279/615	339/747
* Depending on cooling water temperature				

VacuStar 900 - 1300 - 1600



PROPRIETARY AND CONFIDENTIAL
 THE INFORMATION CONTAINED IN THIS DRAWING IS THE SOLE PROPERTY OF FRUITLAND MANUFACTURING. ANY REPRODUCTION IN PART OR AS A WHOLE WITHOUT THE WRITTEN PERMISSION OF FRUITLAND MFG. IS PROHIBITED.

	NAME	DATE	 FRUITLAND <i>Manufacturing</i>	324 Leaside Avenue Stoney Creek, Ontario, CANADA L8E 2N7 Phone: (905) 662-6552 Fax: (905) 662-5412	
CREATED	S.P.	3/12/2013		TITLE:	W SERIES
CHECKED	K.A.	3/14/2013	DWG. NO.	W - 900 - 1300 - 1600	
UNLESS OTHERWISE SPECIFIED: DIMENSIONS ARE IN INCHES TOLERANCES: FRACTIONAL OR .X = ±.015 .XX = ±.010 .XXX = ±.005			SCALE: 1:8	WEIGHT:--	REV 0
MATERIAL	--		SCALE: 1:8	WEIGHT:--	SHEET 1 OF 1