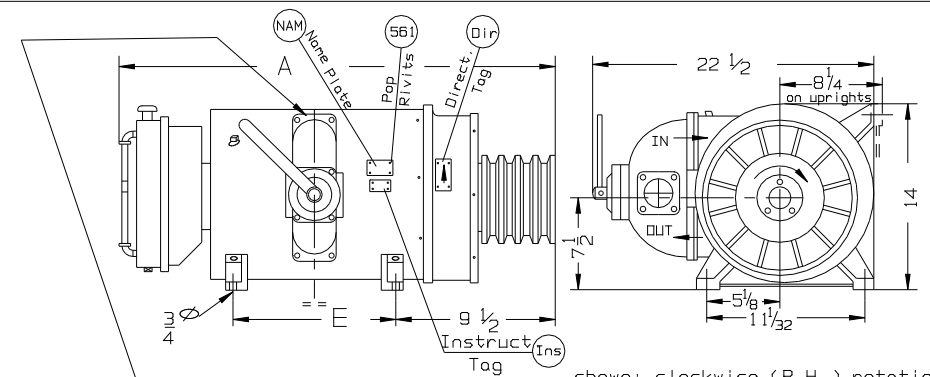
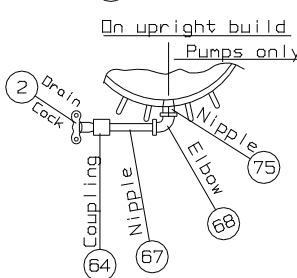
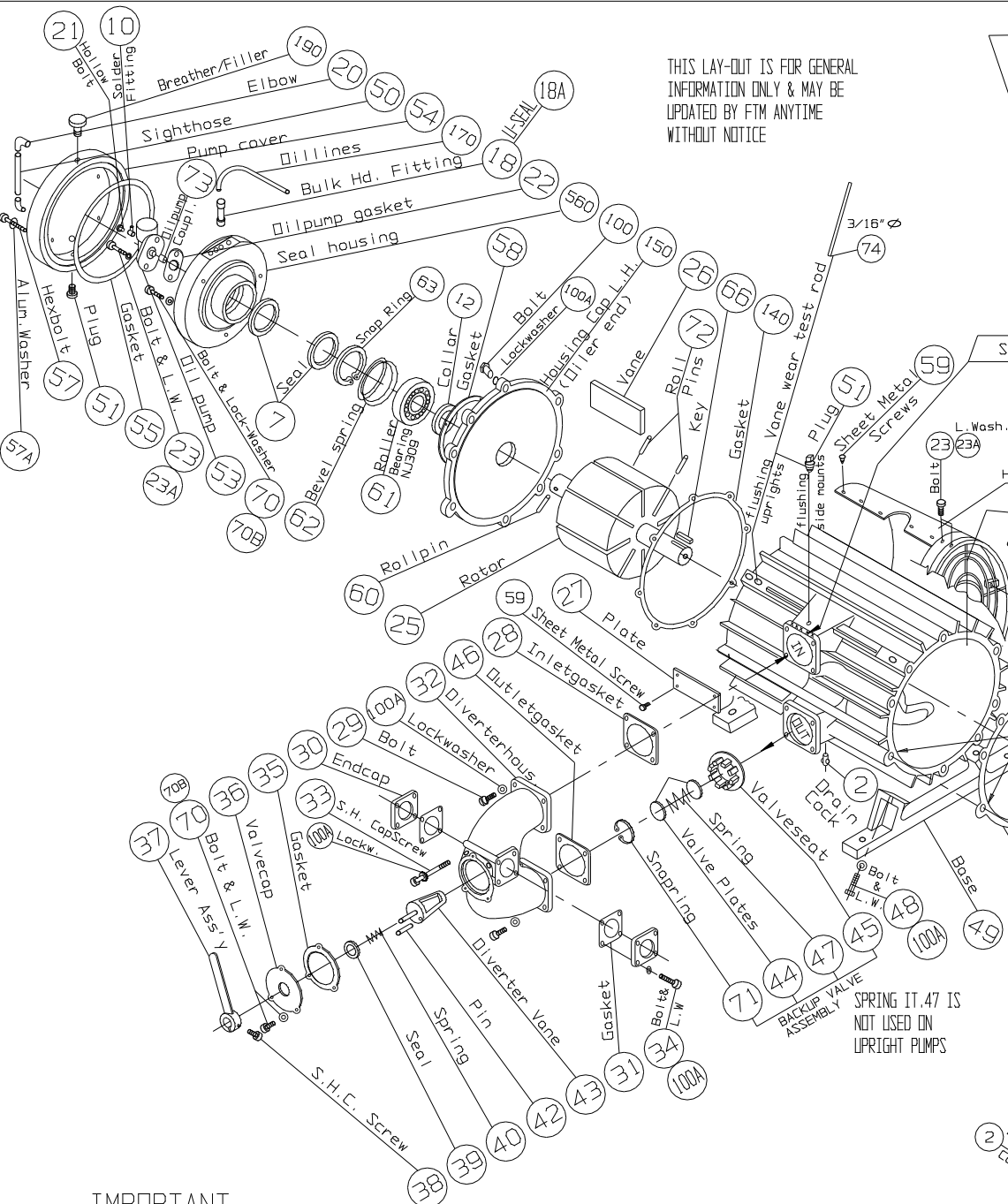


THIS LAY-OUT IS FOR GENERAL INFORMATION ONLY & MAY BE UPDATED BY FTM ANYTIME WITHOUT NOTICE



shown: clockwise (R.H.) rotation side mount valve  
 Std. model  
 AVAILABLE IN UPRIGHT MODEL, CLOCKWISE R.H. or COUNTER CLOCKWISE L.H.

TYPE	A	E
RCF370	28-1/2"	10-1/2"
RCF500	31-1/2"	13-1/2"



BACKUP VALVE SPRING IT.47 IS NOT USED ON UPRIGHT PUMPS

IMPORTANT  
 When ordering spare parts always state make and serial number of pump.

DEC 99

REDRAWN SCANNED ON COMPUTER  
 FEB. 18/97  
 REVISED SE. 27/99

DCR041

**FRUITLAND TOOL & MFG.** 324 Leaside Ave. STONEY CREEK, ONT. (905) 882-8552

TITLE: DETAILED ITEMS for: 370 & 500 REGULAR MODEL PUMPS

MFG draw: 08/16/78	by: v.j.b	DWG.#: RCF 370-78	REV.: 1
MFG checkd: 09/27/99	by: WALTER	RCF 500-78	
Sheet: 1 of 1	Scale: NONE	Customer: FRUITLAND TOOL & MFG.	Computer File: RF500-78.PUM