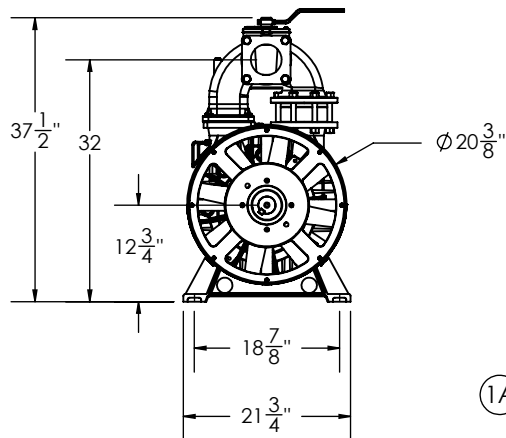
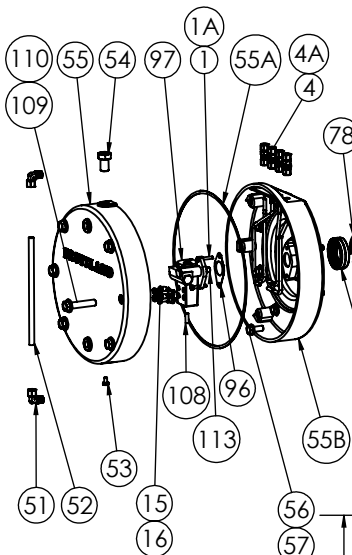


# RCF 800

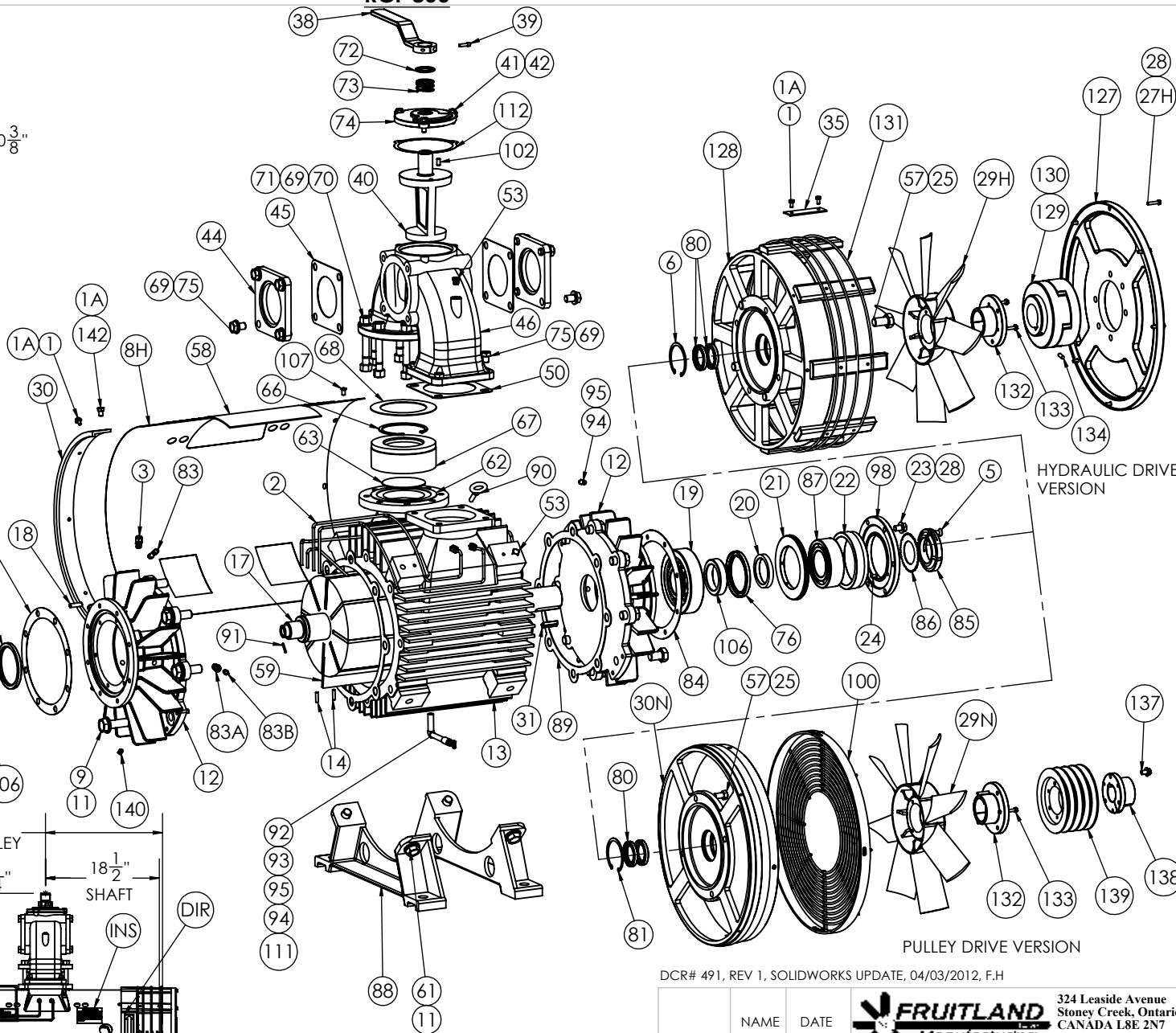
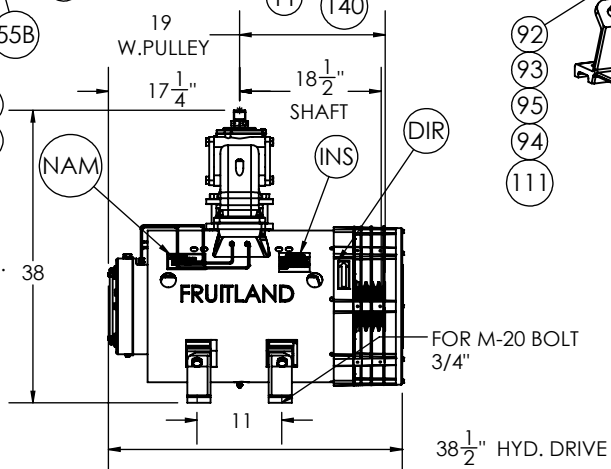


STD. MODEL SHOWN L.H.  
DRIVE COUNTERCLOCKWISE  
UPRIGHT



WHEN ORDERING SPARE  
PARTS ALWAYS STATE MAKE  
AND SERIAL NUMBER OF PUMP.


FOR GENERAL INFORMATION  
ONLY .WE RESERVE THE RIGHT  
TO MAKE CHANGES



HYDRAULIC DRIVE  
VERSION

PULLEY DRIVE VERSION

DCR# 491, REV 1, SOLIDWORKS UPDATE, 04/03/2012, F.H

NAME	DATE		324 Leaside Avenue Stoney Creek, Ontario, CANADA L8E 2N7 Phone: (905) 662-6552 Fax: (905) 662 9875	
CREATED	S.B 12/12/12		TITLE:	EXPLODED VIEW 800 VACCU PUMP
CHECKED	K.A 12/13/12	DWG. NO.	RCF 800 PUMP	
UNLESS OTHERWISE SPECIFIED: DIMENSIONS ARE IN INCHES TOLERANCES: FRACTIONAL OR .X = ±.015 .XX = ±.010 .XXX = ±.005		SCALE: 1:32	WEIGHT:--	REV 1
MATERIAL	--	SHEET 1 OF 1		

**PROPRIETARY AND CONFIDENTIAL**  
THE INFORMATION CONTAINED IN THIS  
DRAWING IS THE SOLE PROPERTY OF  
**FRUITLAND MANUFACTURING**. ANY  
REPRODUCTION IN PART OR AS A  
WHOLE WITHOUT THE WRITTEN  
PERMISSION OF FRUITLAND MFG. IS  
PROHIBITED.